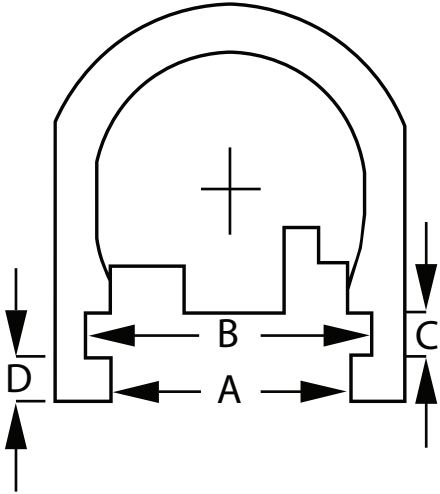




Frame and Slide Fitment Work Sheet

Slide End View

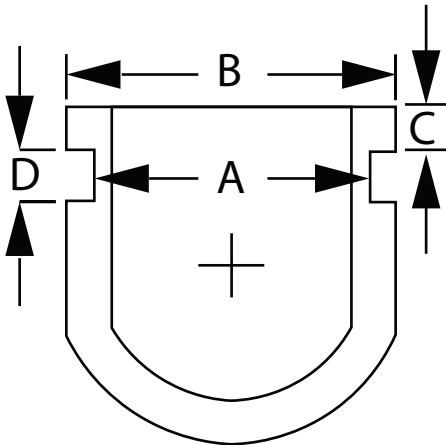


Your Slide Measurements

A _____
 B _____
 C _____
 D _____

Measure your slide dimensions A-D and fill out on the left. The Goal is for slide and frame have .002-.003 running clearance

Frame End View



A _____
 B _____
 C _____
 D _____

Frame Blue Print Spec

A .628 +.000 -.003 _____
 B .751 +.000 -.003 _____
 C .100 +.000 -.002 _____
 D .119 +.002 -.000 _____

Notes: